

MOTOR SPECIFICATION SHEET

MODEL : SCLF-QRV 3HP 4P

USED FOR : STANDARD

DESCRIPTION	DETAIL				
PHASE	1				
TYPE	CAPACITOR STAR AND RUN				
MODEL NAME	SCLF-QRV				
RATED OUTPUT, HP (kW)	3 (2.2)				
POLE	4				
CODE	MEATH CODE : 1M001D-400220QVEU0				
OUTLINE DRAWING NO.	ONM14O085-B				
RATED VOLTAGE (V)	220	230	220		
RATED FREQUENCY (Hz)	50	50	60		
RATED CURRENT (A)	15.1	15.4	13.4		
RATED SPEED (min ⁻¹)	1450	1460	1740		
RATED EFFICIENCY (%)	82.3	82.2	85.4		
THERMAL CLASS	155(F)				
RATING	S1 (CONTINUOUS)				
ENCLOSURE CONSTRUCTION	TOTALLY ENCLOSED FAN COOLED				
DEGREES OF PROTECTION	IP55				
METHOD OF COOLING	IC411				
FRAME NO.	112M				
WEIGHT (kg)	39				
STANDARD	JEC-2137-2000				
EFFICIENCY RULE	IEC 60034-30-1				
INSTALLATION	FLANGE MOUNTED (VERTICAL)				
ROTATION	CCW (VIEWED FROM SHAFT END)				
BEARING	LOAD SIDE : 6207ZZ				
	OPPOSITE SIDE : 6206ZZ				
BEARING GREASE	UREA GREASE				
NOISE (db.A)	67				
VIBRATION	V20				
CIRCUMSTANCE CONDITION	AMBIENT TEMPERATURE : -20 ~ +40°C				
	AMBIENT HUMIDITY : 95%RH OR LESS				
	ABOVE SEA LEVEL : 1000m OR LESS				
	ENVIRONMENT : NO BURSTING/EROSIVE GAS OR VAPOR				
COLOR	MUNSELL N1.5 (BLACK)				
TERMINAL BOX	NO. OF LEAD WIRES : 4				
	SOURCE CONNECTION : LEAD WIRES				
INSULATION RESISTANCE	BY DC 500V MEGGER - ≥100MΩ				
DIELECTRIC TEST	AC 50Hz 1500V - 1min. (Based on rated voltage 220V)				
SHAFT SWING	≤0.03mm				
MATERIAL	FRAME : STEEL PLATE				
	BRACKET LOAD SIDE : CAST IRON (FLANGE)				
	OPPOSITE SIDE : ALUMINIUM				
	SHAFT : CARBON STEEL				
	STATOR CORE : ELECTRICAL STEEL				
	WIRE : ENAMELLED COPPER MAGNET WIRE				
	INSULATOR : POLYESTER FILM SATURATED WITH RESIN				
	VARNISH : EPOXY DENATURALIZATION POLYESTER				
	ROTOR CORE : ELECTRICAL STEEL				
	CONDUCTOR : ALUMINIUM				
	TERMINAL BOX : STEEL PLATE				
	PAINTING : POLYURETHANE RESIN				
PRODUCTION COUNTRY	THAILAND				

Specifications subject to change without notice.

SPECIFICATION SHEET NO.

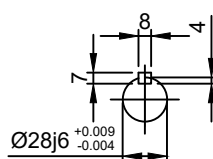
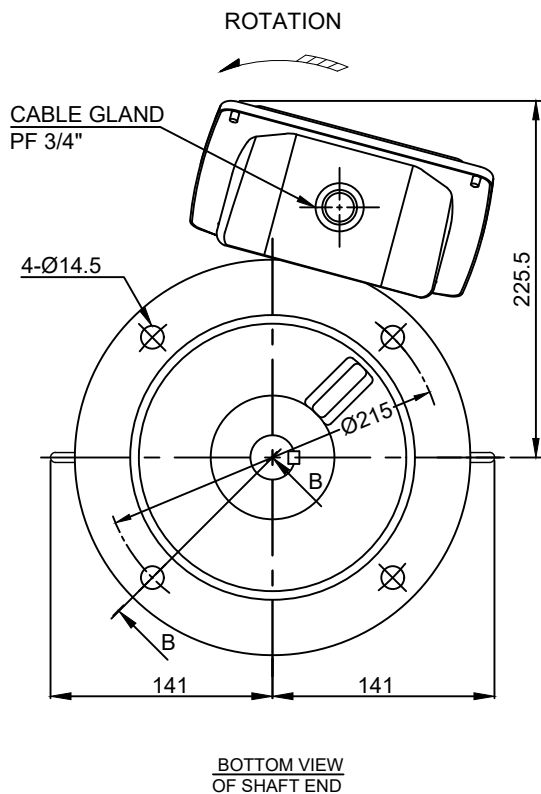
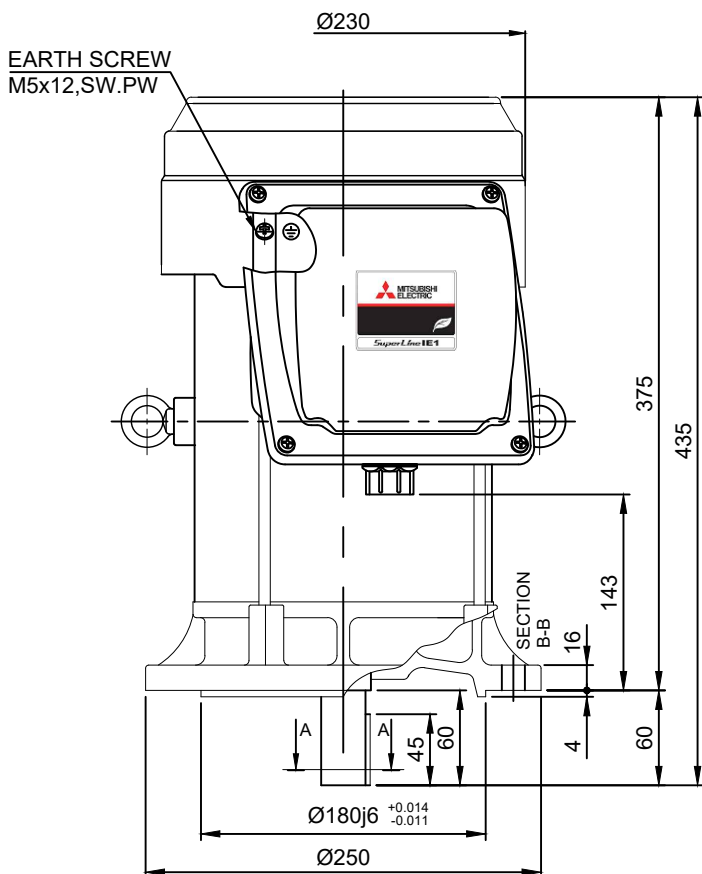
SS-M-1228-B

MODEL SCLF-QRV SINGLE PHASE INDUCTION MOTOR OUTLINE DRAWING

CAPACITOR START AND CAPACITOR RUN TYPE
 TOTALLY ENCLOSED FAN COOLED
 DEGREES OF PROTECTION IP55
 DUST & WATER JET PROOF
 MOTOR EFFICIENCY CLASS IE1

CUSTOMER _____
 USER _____
 FOR _____
 CUSTOMER'S ORDER NO. _____
 QUANTITY _____
 MFG. ORDER NO. _____

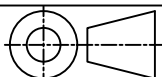
STARTING CAPACITOR	180 μ F 330 VAC
RUNNING CAPACITOR	22.5 μ F 520 VAC



FRAME SIZE	RATING	TH. CLASS	AMB. TEMP.	BEARINGS		COLOR	DIRECTION OF ROTATION	NO. OF LEAD WIRES
				LOAD SIDE	OPP. SIDE			
112M	S1 (CONT.)	155(F)	40°C	6207ZZ	6206ZZ	BLACK (MUNSELL N1.5)	CCW	4

OUTPUT		POLE	Hz	VOLT	AMP	RPM	IE CODE - RATED EFF.	REMARK
HP	kw							
3	2.2	4	50	220/230	15.1/15.4	1450/1460	IE1- 82.3% / IE1- 82.2%	
			60	220	13.4	1740	IE1- 85.4%	

MITSUBISHI ELECTRIC AUTOMATION (THAILAND) CO.,LTD.



DIMENSION IN mm.
 SCALE : NTS.

OUTLINE DRAWING NO.

REV.

ONM140085 B